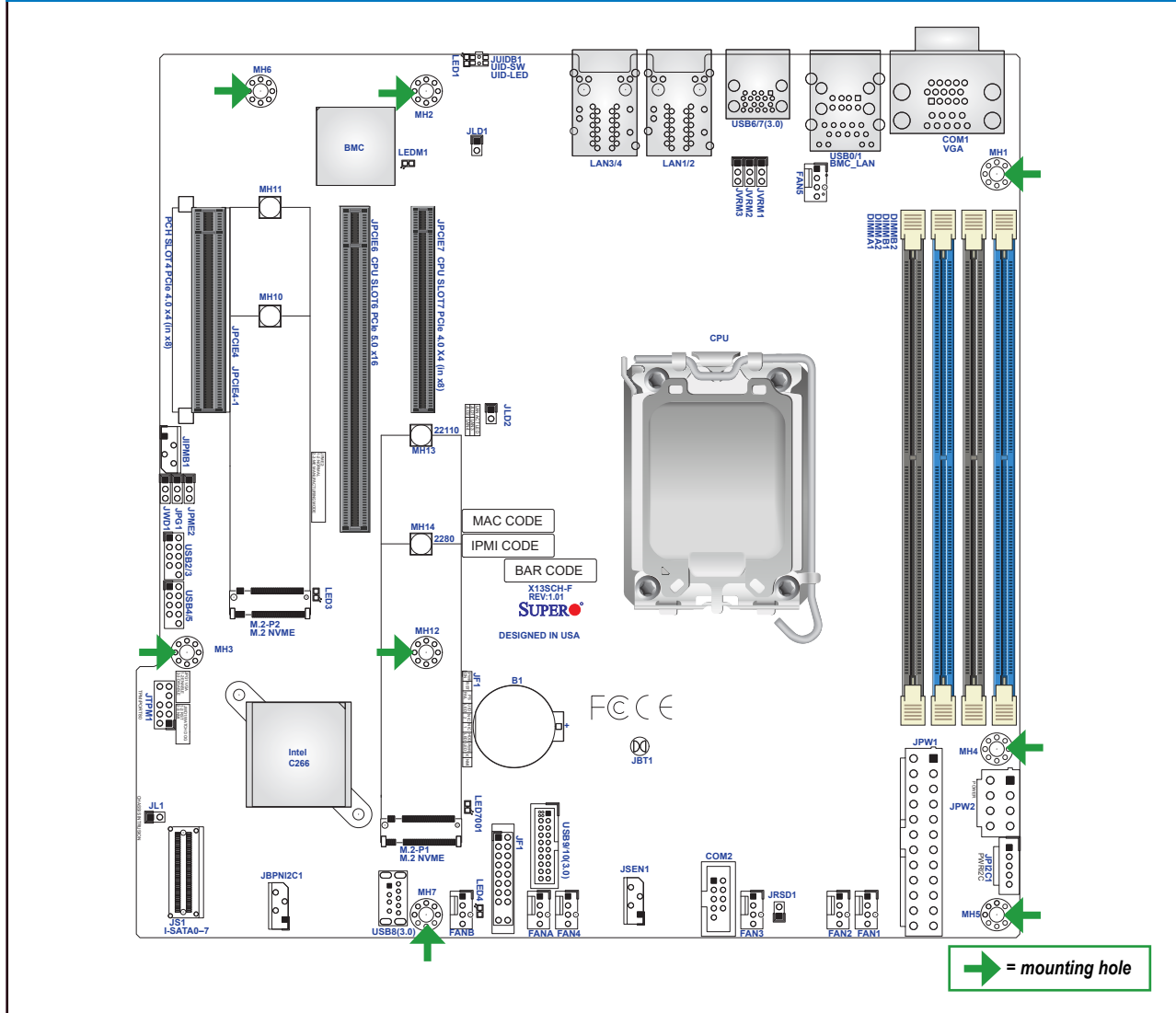


**Motherboard Layout and Features**



**Jumpers and Connectors**

Jumpers		
Jumper	Description	Default Setting
JBT1	CMOS Clear	Open (Normal)
JPG1	VGA Enable/Disable	Pins 1-2 (Enabled)
JPME2	ME Manufacturing Mode	Pins 1-2 (Normal)
JWD1	Watchdog Timer	Pins 1-2 (Reset)

Connectors	
Connector	Description
BMC_LAN	Dedicated BMC LAN Port
B1	Onboard Battery
COM1	COM Port
COM2	COM Header
FAN1-FAN5	CPU/System Fan Headers (FAN1: CPU Fan)
FANA, FANB	
JBPNI <sup>2</sup> C1	4-pin BMC External I <sup>2</sup> C Header
JF1	Front Control Panel Header
JIPMB1	4-pin BMC External I <sup>2</sup> C Header (for an IPMI card)
JL1	Chassis Intrusion Header
JLD1	LAN3 Link Activity LED Header (X13SCH-LN4F only)
JLD2	LAN4 Link Activity LED Header (X13SCH-LN4F only)
JPCIE4	PCH SLOT4 PCIe 4.0 x4 (in x8) Slot
JPCIE6	CPU SLOT6 PCIe 5.0 x16 Slot
JPCIE7	CPU SLOT7 PCIe 4.0 x4 (in x8) Slot
JPI <sup>2</sup> C1	Power I <sup>2</sup> C System Management Bus (Power SMB) Header
JPW1	24-pin ATX Power Connector
JPW2	8-pin CPU Power Connector
JS1	Intel® PCH SATA 3.0 Ports (with RAID 0, 1, 5, 10 support)
JSEN1	Inlet Sensor Header
JTPM1	Trusted Platform Module (TPM)/Port 80 Connector
JUIDB1	UID Switch
LAN1-LAN4	1GbE LAN Ports X13SCH-F only: LAN1-LAN2 X13SCH-LN4F only: LAN1-LAN4
M.2-P1	M.2 PCIe 4.0 x4 Slots from PCH (Supports M-Key 2280 and 22110)
M.2 NVME, M.2-P2	
M.2 NVME	
MH1-MH7, MH12	Mounting Holes
MH10-MH11, MH13-MH14	M.2 Mounting Holes
USB0/1	Back Panel USB 2.0 Ports

**Connectors and LED Indicators**

Connectors	
Connector	Description
USB2/3, USB4/5	Front Accessible USB 2.0 Headers
USB6/7	Back Panel USB 3.2 Gen 1 Ports
USB8	Front Accessible USB 3.2 Gen 1 Type-A Header
USB9/10	Front Accessible USB 3.2 Gen 1 Header
VGA	VGA Port

LED Indicators		
LED	Description	Status
LED1	Unit Identifier (UID) LED	Solid Blue: Unit Identified
LED3	PCIe M.2-P2 Activity LED	Blinking Green: M.2-P2 Active
LED4	Power LED	LED On: Onboard Power On
LED7001	PCIe M.2-P1 Activity LED	Blinking Green: M.2-P1 Active
LEDM1	BMC Heartbeat LED	Blinking Green: Device Working

**CPU Support**

The X13SCH-F/LN4F motherboard supports an Intel® Xeon® E-2400 or 12th Generation Pentium (Socket V0 - LGA 1700) processor with up to eight cores.

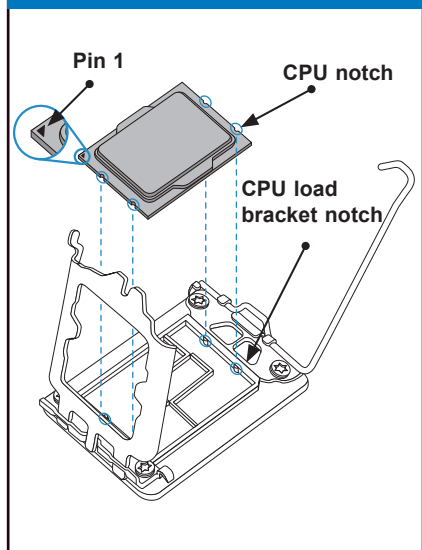
**Memory Support**

The X13SCH-F motherboard supports up to 128 GB of DDR5 ECC UDIMM memory with speeds of up to 4400 MT/s in four memory slots. Note that this motherboard supports 4400 MT/s with the one DIMM per channel population configuration.

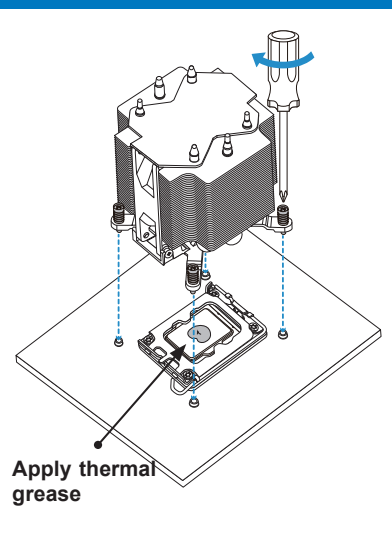
**Back Panel I/O Connectors**

Rear I/O Ports			
#	Description	#	Description
1	COM1	6	USB6 (USB 3.2 Gen 1)
2	VGA	7	USB7 (USB 3.2 Gen 1)
3	BMC LAN	8	LAN1
4	USB0 (USB 2.0)	9	LAN2
5	USB1 (USB 2.0)	10	LAN3 (X13SCH-LN4F only)
		11	LAN4 (X13SCH-LN4F only)
		12	UID Switch

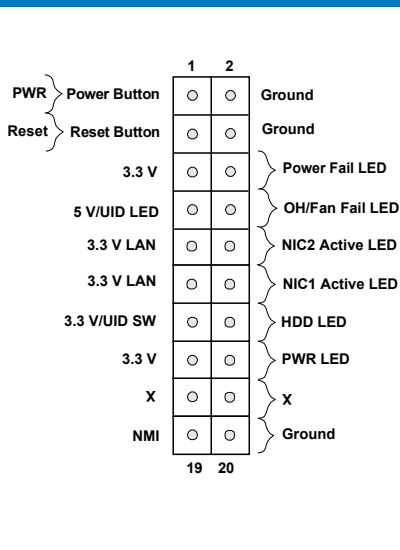
**CPU Installation**



**Heatsink Installation**



**Front Control Panel**



**Note:** Graphics shown in this quick reference guide are for illustrational purposes only. Your components may or may not look exactly the same as drawings shown in this guide.

**Note:** Refer to Chapter 2 of the User Manual for detailed information on jumpers, connectors, and LED indicators.

**Note:** Refer to Chapter 2 of the User Manual for detailed information on memory support and CPU/motherboard installation instructions.